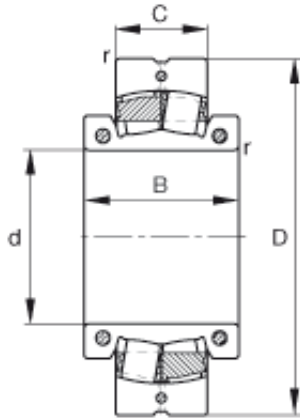




ROULEMENTS?BEARINGS?Limited



FAG 231S.715 spherical roller bearings

Bearing No. 231S.715

Size	201.613x370x120 mm
Bore Diameter	201,613 mm
Outer Diameter	370 mm
Width	120 mm
d	201,613 mm
d	7 15/16 inch
D	370 mm
C	120 mm
B	175 mm
r_{\min}	4 mm
m	72,6 kg / Weight
C_r	1320000 N / Dynamic load rating (radial)
e	0,31
Y_1	2,21
Y_2	3,29
C_{0r}	2030000 N / Static load rating (radial)
Y_0	2,16
n_G	690 1/min / Limiting speed
C_{ur}	151000 N / Fatigue limit load, radial
$F_{a \max}$	32000 N / Permissible axial load, for inner ring without axial abutment
M_i	120 Nm / Tightening torque per clamping screw

231S.715 Bearing 2D drawings and 3D CAD models



ROULEMENTS?BEARINGS?Limited