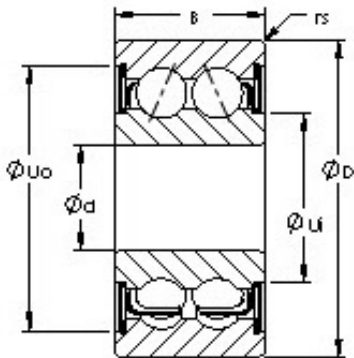




ROULEMENTS?BEARINGS?Limited



5206ZZ Bearing 2D drawings and 3D CAD models

AST 5206ZZ angular contact ball bearings

Bearing No. 5206ZZ

Size	30x62x23.812 mm
Bore Diameter	30 mm
Outer Diameter	62 mm
Width	23,812 mm
Bearing Type	shielded
Bore Dia (d)	30.0000
Outer Dia (D)	62.0000
Width (B)	23.8120
Radius (min) (rs)	1.000
Dynamic Load Rating (Cr)	29,600
Static Load Rating (Cor)	21,200
Max Speed (Grease) (X1000 RPM)	7
Max Speed (Oil) (X00 RPM)	10
Max. Shaft Shoulder Dia. Inner (Ui)	36.0
Min. Housing Shoulder Dia., Outer (Uo)	57.000
Weight (g)	260.00
Precision	A1
Standard Clearance	C0
Material	52100 Chrome steel, or equivalent